

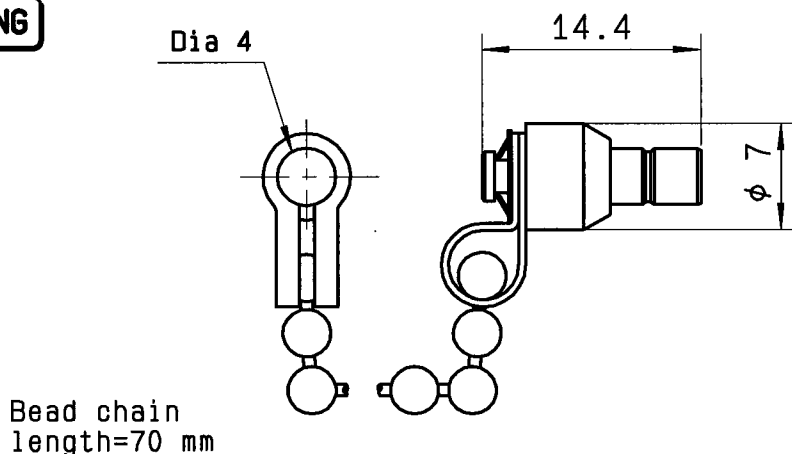


1 W DC- 4 GHz SMB/male COAXIAL TERMINATION

issue
09.jul.03

Page
1 / 1

DRAWING



General tolerances: +/- 0.5 mm

R F CHARACTERISTICS

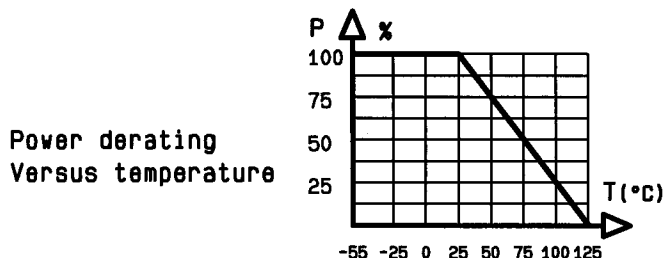
FREQUENCY RANGE	:	DC - 4 GHz
IMPEDANCE	:	50 Ohms
DC RESISTANCE	:	50 Ohms ± 5 %
V.S.W.R :	DC - 1 GHz	: ≤ 1.08
	1 - 4 GHz	: ≤ 1.20
PEAK POWER at 25°C (1µs,1%.)	:	100 W
AVERAGE POWER at 25°C	:	1 W

MECHANICAL CHARACTERISTICS

CONNECTORS	:	SMB male	per MIL-C 39012
WEIGHT	:	< 7 g	

ENVIRONMENTAL CHARACTERISTICS

OPERATING TEMPERATURE RANGE	(°C)	:	-55 , +125
STORAGE TEMPERATURE RANGE	(°C)	:	-55 , +125



CREATION

N° :
PEN/EP:93129
Name:LJ
Date:03.jan.95
APP.:VE

09.jul.03
ISSUE

Frequency range 2.5 GHz --> 4 GHz

REVISIONS

AF
NAME

FG
APPR.

RADIALL®

101. rue P. Hoffmann -Z.I Ouest-
93116 ROSNY/BOIS Cedex-FRANCE
Phone :33(1)49353535
Fax :33(1)48546363
Twx RADIA 235220F

This information is given as an indication. In the continual goal to improve our products, we reserve the right to make any modifications judged necessary

4112-9212